



AUTO SALES & PARTS, INC.

RECYCLED PARTS REQUESTED: QUAD CAB FORM

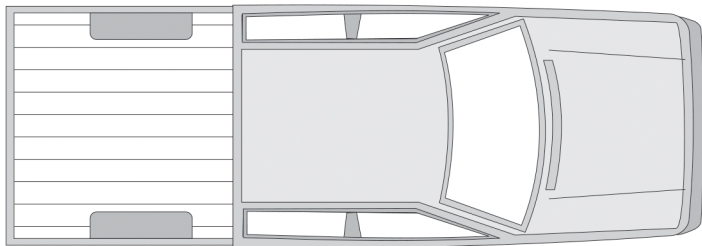
CALL: 262-542-2255 FAX: 262-542-0263

W227 S2698 Racine Ave. Waukesha, WI 53186

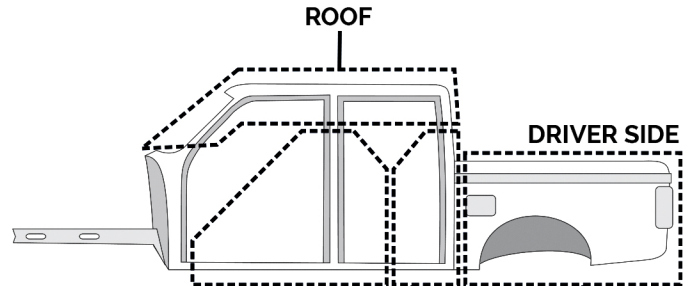
To _____ From _____
 Contact person _____ Contact person _____
 Phone # _____ Fax # _____ Date _____
 Year _____ Make _____ Model _____
 VIN # _____ Build Date _____
 P.O. # _____ Please sign here _____

Disclaimer: All cuts are sold AS IS, no returns

IMPORTANT: Standard cuts are marked below, there may be a surcharge on larger cuts. Signing above confirms you understand our no return policy



TOP VIEW



ROOF

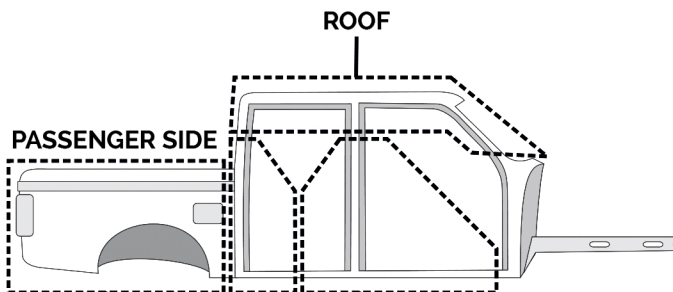
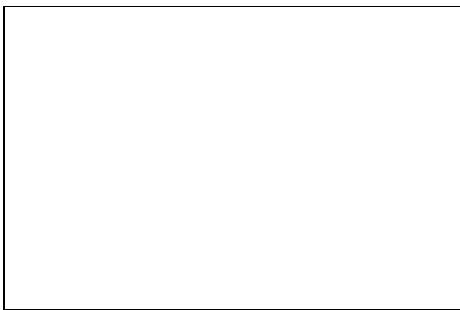
DRIVER SIDE

CENTER PILLAR

CAB CORNER

BOX SIDE

Cut Sheet Additional Notes



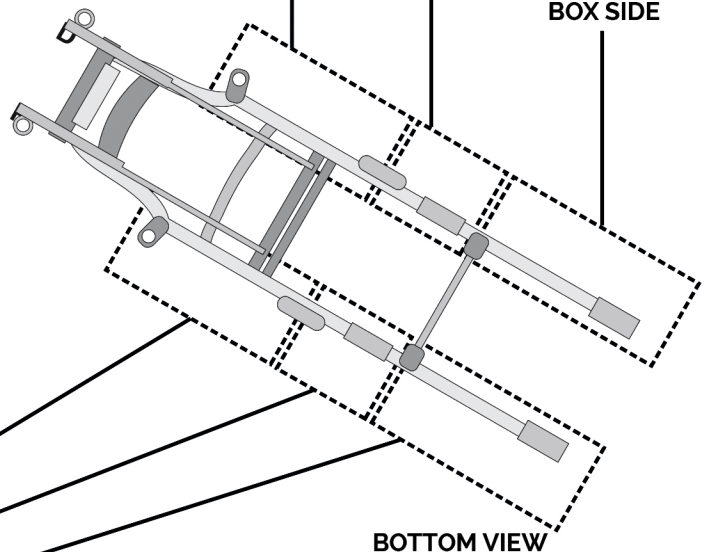
ROOF

PASSENGER SIDE

CENTER PILLAR

CAB CORNER

BOX SIDE



BOTTOM VIEW